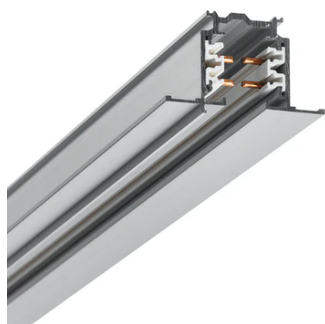


Three Phase Track Recessed 4000 mm

□ 60.3840.11 - Matt White

GLOBALTRACK offers benefits for advanced installations: the main connectors are feedable and the feeding cable can be hidden under the elegant suspension accessories. GLOBALTRACK lighting tracks are designed for easy surface mounting on ceilings and walls, or recessed mounting in suspended ceilings. Lighting tracks can be suspended at any desired height.



Main specifications

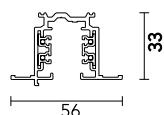
Mountings	Ceiling recessed
Environment	Indoor dry location

Electrical

Emergency	Without
Insulation class	I

Physical

Color	Matt White
Weight (kg)	4
Length (mm)	4000



Three Phase Track Recessed 4000 mm



Mean connector
60.3043.11



Live end left
60.3039.12



Connector T – Inside Right
60.3047.14



Connector 90° Outside
60.3028.11



Straight connector
60.3044.11



Corner adjustable connector
60.3046.11



Conector T – Outside Left
60.3051.11



Fix-point
60.3023.29



Mean connector
60.3043.14



Cross Coupling
60.3036.11



Cover for connectors DALI
60.3146.11



Cover for connectors DALI
60.3146.14



Connector T – Inside Left
60.3048.29



Cover for power supply connectors
recessed track
60.3053.14



Live end left
60.3039.11



Blind end
60.3016.11



Corner adjustable connector
60.3046.29



Cover for power supply connectors
recessed track
60.3053.11



Straight connector
60.3044.14



Live end right
60.3038.12



Mean connector
60.3043.29



Connector T – Inside Right
60.3047.29



Live end right
60.3038.14



Fix-point
60.3023.14



Lead bending key
60.3054



Cross Coupling
60.3036.14



Fix-point
60.3023.11



Blind end

Dali Flexible connector

Live end right



Corner adjustable connector
60.3046.14



Conector T – Outside Left
60.3051.29



Dali Flexible connector
60.3037.11ADA



Connector 90° Inside
60.3029.14



Recessed box for fix-point
60.3022.14



Live end left
60.3039.14



Blind end
60.3016.12



Straight connector
60.3044.12



Conector T – Outside Right
60.3049.14



Conector T – Outside Right
60.3049.11



Connector 90° Inside
60.3029.29



Connector T – Inside Left
60.3048.11



Recessed box for fix-point
60.3022.11



Connector 90° Inside
60.3029.11



Conector T – Outside Left
60.3051.14



Connector 90° Outside
60.3028.29



Cross Coupling
60.3036.29



Connector T – Inside Left
60.3048.14



Connector 90° Outside
60.3028.14

Connector T – Inside Right
60.3047.11

Dali Flexible connector
60.3037.29ADA