



The Tracking Magnet Surface/Suspension Profile Casambi / On Board Dimmer compatible

■ 06.5060.14 - Black

Electromechanical profile for surface-mounting, available in lengths from 1m to 3m.

Main specifications

| | |
|-------------|------------------------|
| Mountings | Surface and suspension |
| Environment | Indoor dry location |

Electrical

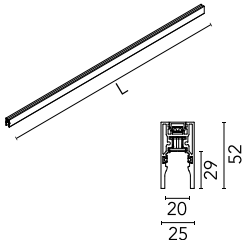
| | |
|-------------|-----------------------------------|
| Voltage (V) | 48.00 |
| Dimmable | Yes |
| Driver | Remote |
| Driver type | Dimmer on board, Dimmable Casambi |
| Emergency | Without |

Physical

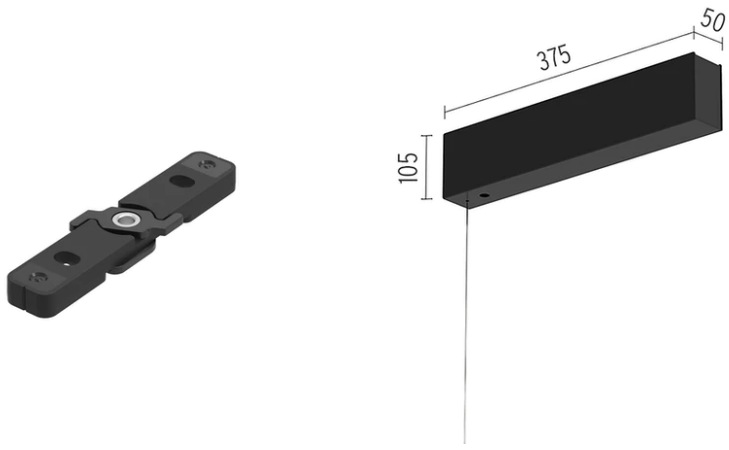
| | |
|-------------|-------|
| Color | Black |
| Weight (kg) | 1.216 |
| Length (mm) | 1000 |

Note

Version compatible with "On board dimmer" luminaries and version compatible with system controlled luminaries (DALI, 1-10V, FLOS SMART CONTROL) available. Corners, connectors and accessories common for the two profile versions. Feed connector, intermediated connector, end-caps and attachment accessories to be ordered separately. Mechanical 90° corners available in the same plane (symmetrical element for left and right corner) and 90° symmetrical internal corners in a different plane. Intermediate connectors to be ordered separately if electrical continuity on corners is required. Corners do not admit installation of spots.



The Tracking Magnet Surface/Suspension Profile Casambi / On Board Dimmer compatible

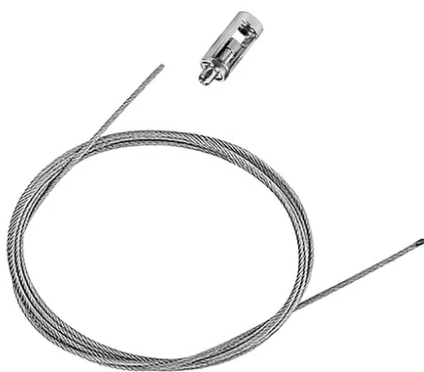


Ceiling fixing kit
08.0615.00

Surface power supply with 320W / 48Vdc driver included
08.0600.40



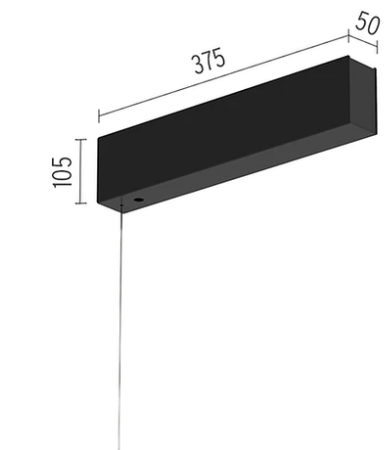
The Tracking Magnet Profile Feed Connector
08.0611.14



4m suspension steel cable
08.8634.00



Suspension rod with 1m rose. M6 thread
60.3014.11



Surface power supply with 320W / 48Vdc driver included
08.0600.14



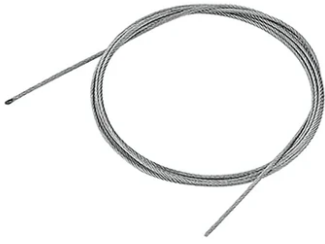
Ceiling fixing kit
08.0616.00



The Tracking Magnet Profile Intermediate Connector Straight
08.0612.14



LED Power Supply Source for remote installation. 48V. 100Vac (150W)-240Vac (200W)
60.9607



4-pole, 0.75 mm² section, 4-meter long,
transparent power cable
06.0157.00



LED Power Supply Source for remote
installation. 48V/320W. 100/240 Vac
60.8919



LED power supply source for remote
installation, 48V/120W. 220/240 Vac
60.9170



Suspension rod with 1m rose. M6
thread
60.3014.14