



Super Line Up&Down Direct

03.9500.40 - White

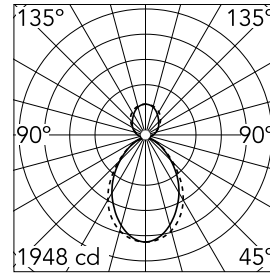
LED luminaire for direct and indirect lighting with a signature minimalist and compact design, to be installed on ceilings by means of suspension. Power source included in installation kits must be ordered separately.

Main specifications

Lamp category	LED	Mountings	Suspension
Power (W)	59W	Environment	Indoor dry location
CCT (K)	3000K		
CRI	90		
Net lumen (lm)	5154		

Optical

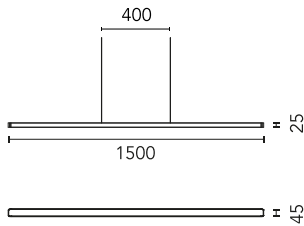
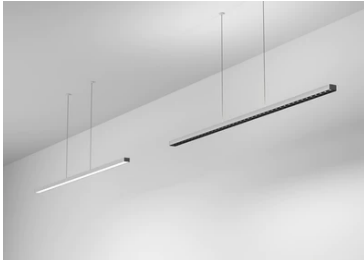
Lighting type	Indirect, Direct
LED type	Top LED
Light distribution	Symmetric
Optical type	Diffused light
Beam angle (°)	76
Beam angle C90-270 (°)	82



Beam Angle DIR: 76°

h(m)	E(lx)	D(m)
1	1948	1.57
2	487	3.13
3	216	4.70
4	122	6.27
5	78	7.84

Luminous flux luminaire
5154 lm



Electrical

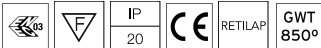
Voltage (V)	55.80	Insulation class	III
Dimmable	Yes		
Driver	Remote		
Driver type	Non Dimmable, Dimmable DALI		
Emergency	Without		

Physical

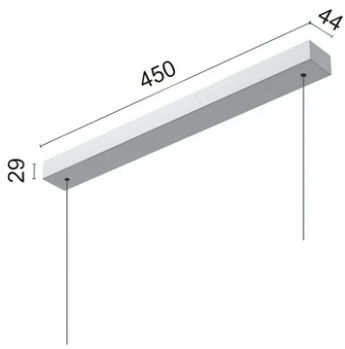
Color	White
Orientation	Fixed
Weight (kg)	1.45
Length (mm)	1500

Note

Cable 4,25 m



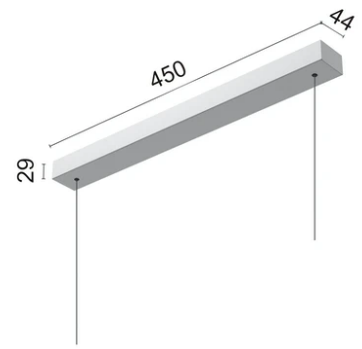
Super Line Up&Down Direct



Surface Kit 60W. Dali Version
08.0521.02



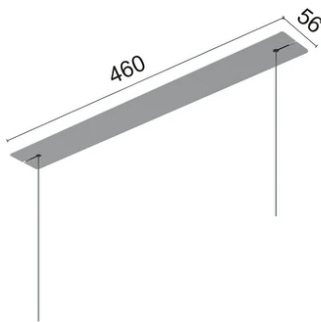
Remote Power Supply Kit 60W. Dali Version
08.0525.14



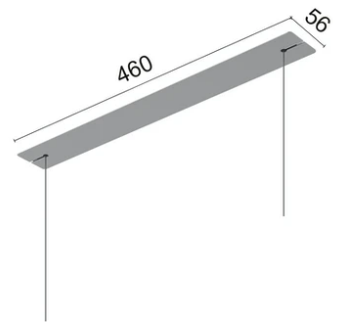
Surface Kit 60W. Non Dimmable
08.0520.14



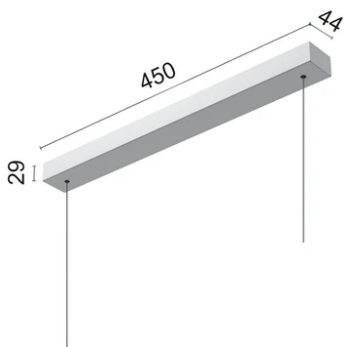
Remote Power Supply Kit 60W. Non Dimmable
08.0524.14



Recessed Kit 60W. Dali Version
08.0523.14



Recessed Kit 60W. Non Dimmable
08.0522.14



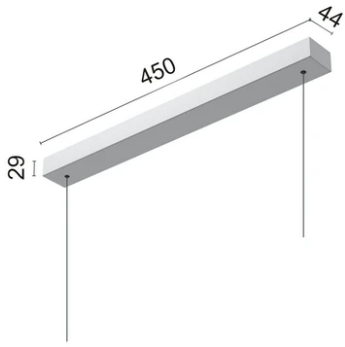
Surface Kit 60W. Dali Version
08.0521.14



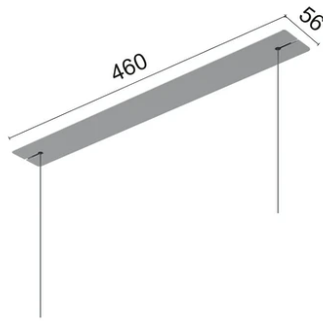
Remote Power Supply Kit 60W. Dali Version
08.0525.40



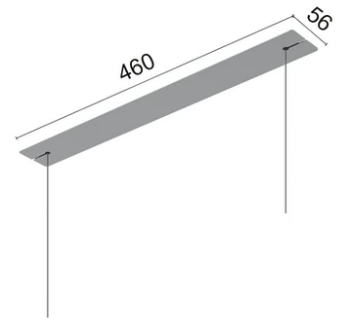
Remote Power Supply Kit 60W. Non Dimmable
08.0524.40



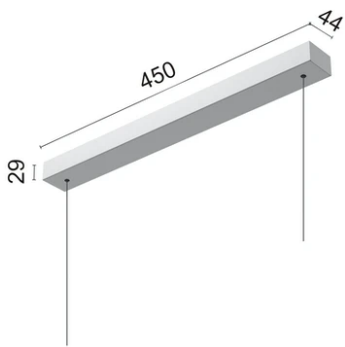
Surface Kit 60W. Non Dimmable
08.0520.02



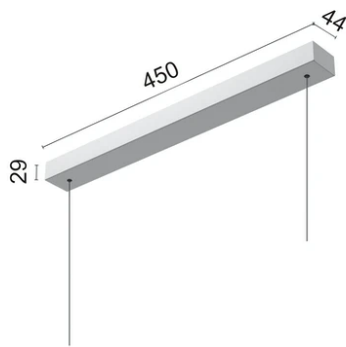
Recessed Kit 60W. Dali Version
08.0523.40



Recessed Kit 60W. Non Dimmable
08.0522.40



Surface Kit 60W. Dali Version
08.0521.40



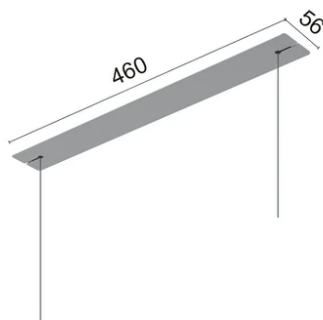
Surface Kit 60W. Non Dimmable
08.0520.40



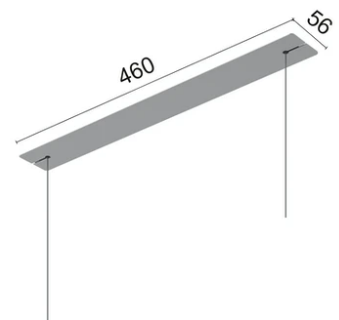
Remote Power Supply Kit 60W. Dali Version
08.0525.02



Remote Power Supply Kit 60W. Non Dimmable
08.0524.02



Recessed Kit 60W. Dali Version
08.0523.02



Recessed Kit 60W. Non Dimmable
08.0522.02