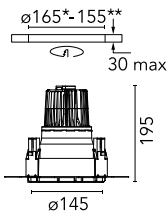


Kap Ø 145 Dali

■ 03.4584.GL.DA - Gold

Recessed luminaire with LED light source. Remote electronic transformer 220/240V included.



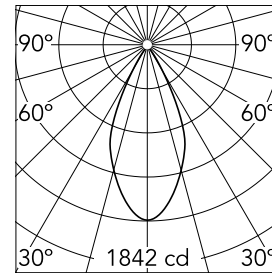
*NO TRIM
**TRIM

Main specifications

Number of heads	1	Net lumen (lm)	1109
Lamp category	LED	Mountings	Ceiling recessed
Power (W)	17W	Environment	Indoor dry location
CCT (K)	3000K		
CRI	90		

Optical

Lighting type	Direct
LED type	LED array
Light distribution	Symmetric
Optical type	Flood
Beam angle (°)	48
Beam angle C90-270 (°)	48
Efficiency (lm/W)	65



Beam Angle: 48°

h(m)	E(lx)	D(m)
1	1842	0.88
2	460	1.77
3	205	2.65
4	115	3.54
5	74	4.42

Luminous flux luminaire
1109 lm (EXTREME CUT OFF)

Electrical

Frequency (Hz)	50/60	Emergency	Without
Voltage (V)	27.40	Insulation class	II
Dimmable	Yes		
Driver	Remote included		
Driver type	Dimmable DALI		
	1		

Physical

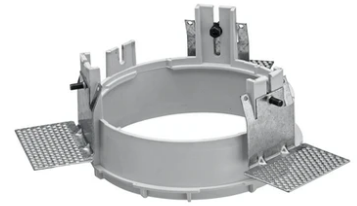
Color	Gold
Orientation	Fixed
Weight (kg)	0.88
Spot diameter (mm)	145

Note

Pre-installation frame. To be ordered separately.



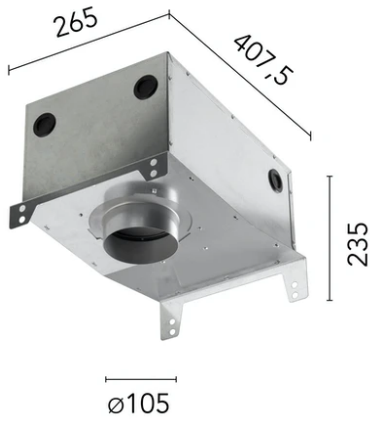
Kap Ø 145 Dali



Installation Frame Trim
08.8491.GL

Installation Frame Trim
08.8491.BU

Installation Frame No Trim
08.8156.00



Installation can for concrete
08.8421.00

Installation Frame Trim
08.8491.30

Installation Frame Trim
08.8491.14