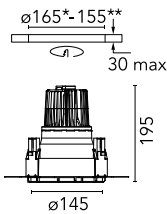


Kap Ø 145 Dali

■ 03.4584.B1.DA - White

Recessed luminaire with LED light source. Remote electronic transformer 220/240V included.



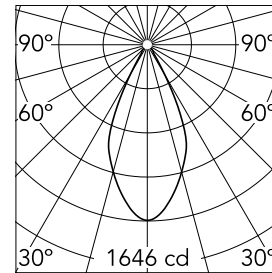
*NO TRIM
**TRIM

Main specifications

Number of heads	1	CRI	90
Lamp category	LED	Net lumen (lm)	1163
Power (W)	17W	Mountings	Ceiling recessed
System power (W)	17	Environment	Indoor dry location
CCT (K)	3000K		

Optical

Lighting type	Direct
LED type	LED array
Light distribution	Symmetric
Optical type	Flood
Beam angle (°)	49
Beam angle C90-270 (°)	49
UGRL	21
Efficiency (lm/W)	68



Beam Angle:	49°		
	h(m)	E(lx)	D(m)
	1	1646	0.91
	2	411	1.82
	3	183	2.73
	4	103	3.64
	5	66	4.55

Luminous flux luminaire
1163 lm (EXTREME CUT OFF)

Electrical

Frequency (Hz)	50/60	Driver type	Dimmable DALI 1
Voltage (V)	27	Emergency	Without
Current (mA)	600	Insulation class	II
Dimmable	Yes		
Driver	Remote included		

Physical

Color	White
Orientation	Fixed
Weight (kg)	0.88
Spot diameter (mm)	145
Lifespan (L70 B10)	L80B50

Note

Pre-installation frame. To be ordered separately.



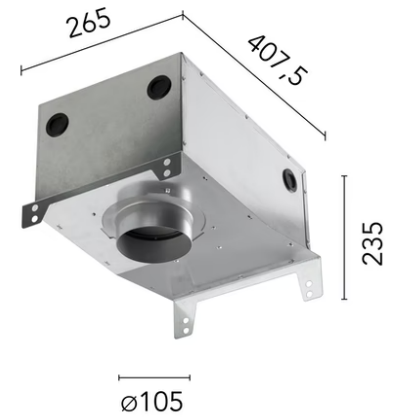
Kap Ø 145 Dali



Installation Frame Trim
08.8491.30



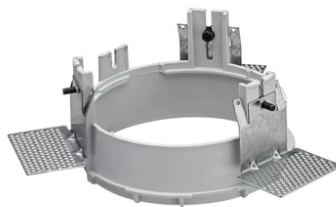
Installation Frame Trim
08.8491.14



Installation can for concrete
08.8421.00



Installation Frame Trim
08.8491.BU



Installation Frame No Trim
08.8156.00



Installation Frame Trim
08.8491.GL