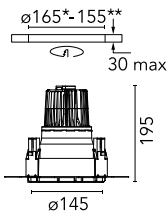


## Kap Ø 145 Dali

■ 03.4496.CUBDA - Copper

Recessed luminaire with LED light source. Remote electronic transformer 220/240V included.



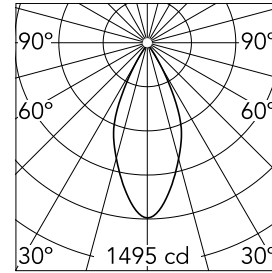
\*NO TRIM  
\*\*TRIM

### Main specifications

<b>Number of heads</b>	1	<b>Net lumen (lm)</b>	796
<b>Lamp category</b>	LED	<b>Mountings</b>	Ceiling recessed
<b>Power (W)</b>	17W	<b>Environment</b>	Indoor dry location
<b>CCT (K)</b>	2700K		
<b>CRI</b>	98		

### Optical

<b>Lighting type</b>	Direct
<b>LED type</b>	Phosphor LED
<b>Light distribution</b>	Symmetric
<b>Optical type</b>	Flood
<b>Beam angle (°)</b>	45
<b>Beam angle C90-270 (°)</b>	45
<b>Efficiency (lm/W)</b>	46



<b>Beam Angle:</b>	45°		
<b>h(m)</b>	<b>E(lx)</b>	<b>D(m)</b>	
1	1495	0.83	
2	374	1.66	
3	166	2.49	
4	93	3.33	
5	60	4.16	

Luminous flux luminaire  
796 lm (EXTREME CUT OFF)

### Electrical

<b>Frequency (Hz)</b>	50/60	<b>Emergency</b>	Without
<b>Voltage (V)</b>	22.30	<b>Insulation class</b>	II
<b>Dimmable</b>	Yes		
<b>Driver</b>	Remote included		
<b>Driver type</b>	Dimmable DALI		
	1		

### Physical

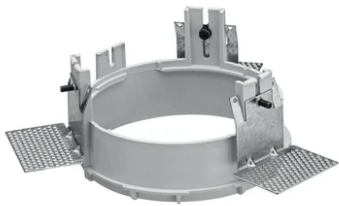
<b>Color</b>	Copper
<b>Orientation</b>	Fixed
<b>Weight (kg)</b>	0.88
<b>Spot diameter (mm)</b>	145

### Note

Pre-installation frame. To be ordered separately.

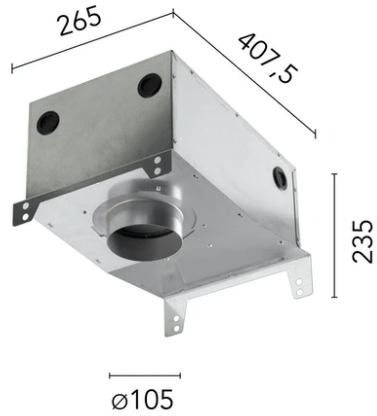


## Kap Ø 145 Dali



---

Installation Frame No Trim  
08.8156.00



---

Installation can for concrete  
08.8421.00



---

Installation Frame Trim  
08.8491.30



---

Installation Frame Trim  
08.8491.14



---

Installation Frame Trim  
08.8491.BU



---

Installation Frame Trim  
08.8491.GL