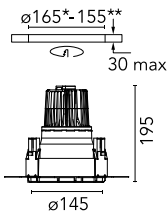


## Kap Ø 145 1-10V

■ 03.4584.GL.1V - Gold

Recessed luminaire with LED light source. Remote electronic transformer 220/240V included.



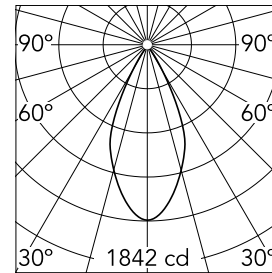
\*NO TRIM  
\*\*TRIM

### Main specifications

<b>Number of heads</b>	1	<b>Net lumen (lm)</b>	1109
<b>Lamp category</b>	LED	<b>Mountings</b>	Ceiling recessed
<b>Power (W)</b>	17W	<b>Environment</b>	Indoor dry location
<b>CCT (K)</b>	3000K		
<b>CRI</b>	90		

### Optical

<b>Lighting type</b>	Direct
<b>LED type</b>	LED array
<b>Light distribution</b>	Symmetric
<b>Optical type</b>	Flood
<b>Beam angle (°)</b>	48
<b>Beam angle C90-270 (°)</b>	48
<b>Efficiency (lm/W)</b>	65



<b>Beam Angle: 48°</b>		
<b>h(m)</b>	<b>E(lx)</b>	<b>D(m)</b>
1	1842	0.88
2	460	1.77
3	205	2.65
4	115	3.54
5	74	4.42

Luminous flux luminaire  
1109 lm (EXTREME CUT OFF)

### Electrical

<b>Frequency (Hz)</b>	50/60	<b>Emergency</b>	Without
<b>Voltage (V)</b>	27.40	<b>Insulation class</b>	II
<b>Dimmable</b>	Yes		
<b>Driver</b>	Remote included		
<b>Driver type</b>	Dimmable 1-10V		

### Physical

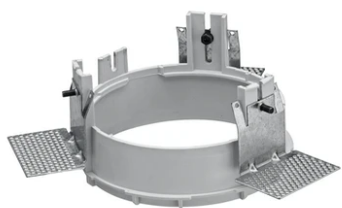
<b>Color</b>	Gold
<b>Orientation</b>	Fixed
<b>Weight (kg)</b>	0.88
<b>Spot diameter (mm)</b>	145

### Note

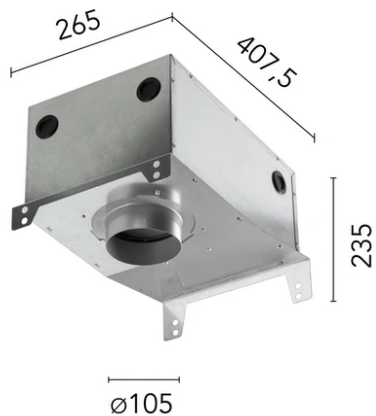
Pre-installation frame. To be ordered separately.



# Kap Ø 145 1-10V



Installation Frame No Trim  
08.8156.00



Installation can for concrete  
08.8421.00



Installation Frame Trim  
08.8491.30



Installation Frame Trim  
08.8491.14



Installation Frame Trim  
08.8491.BU



Installation Frame Trim  
08.8491.GL