

\*NO TRIM  
\*\*TRIM



## Kap Ø 145 1-10V

■ 03.4496.74B1V - Black

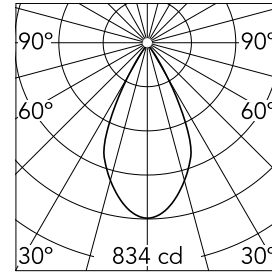
Recessed luminaire with LED light source. Remote electronic transformer 220/240V included.

### Main specifications

<b>Number of heads</b>	1	<b>Net lumen (lm)</b>	541
<b>Lamp category</b>	LED	<b>Mountings</b>	Ceiling recessed
<b>Power (W)</b>	17W	<b>Environment</b>	Indoor dry location
<b>CCT (K)</b>	2700K		
<b>CRI</b>	98		

### Optical

<b>Lighting type</b>	Direct
<b>LED type</b>	Phosphor LED
<b>Light distribution</b>	Symmetric
<b>Optical type</b>	Flood
<b>Beam angle (°)</b>	52
<b>Beam angle C90-270 (°)</b>	52
<b>Efficiency (lm/W)</b>	31



<b>Beam Angle:</b>	52°		
<b>h(m)</b>	<b>E(lx)</b>	<b>D(m)</b>	
1	834	0.97	
2	208	1.95	
3	93	2.92	
4	52	3.90	
5	33	4.87	

Luminous flux luminaire  
541 lm (EXTREME CUT OFF)

### Electrical

<b>Frequency (Hz)</b>	50/60	<b>Emergency</b>	Without
<b>Voltage (V)</b>	22.30	<b>Insulation class</b>	II
<b>Dimmable</b>	Yes		
<b>Driver</b>	Remote included		
<b>Driver type</b>	Dimmable 1-10V		

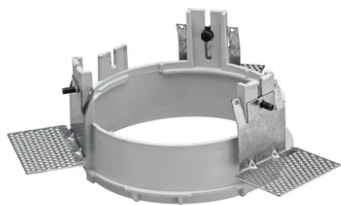
### Physical

<b>Color</b>	Black
<b>Orientation</b>	Fixed
<b>Weight (kg)</b>	0.88
<b>Spot diameter (mm)</b>	145

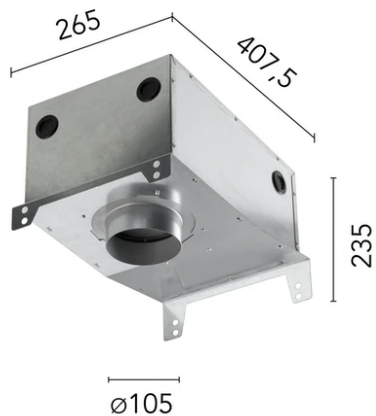
### Note

Pre-installation frame. To be ordered separately.

# Kap Ø 145 1-10V



Installation Frame No Trim  
08.8156.00



Installation can for concrete  
08.8421.00



Installation Frame Trim  
08.8491.30



Installation Frame Trim  
08.8491.14



Installation Frame Trim  
08.8491.BU



Installation Frame Trim  
08.8491.GL