

\*NO TRIM  
\*\*TRIM



## Kap Ø 145

■ 03.4585.74 - Black

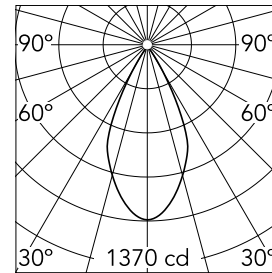
Recessed luminaire with LED light source. Remote electronic transformer 220/240V included.

### Main specifications

<b>Number of heads</b>	1	<b>Net lumen (lm)</b>	815
<b>Lamp category</b>	LED	<b>Mountings</b>	Ceiling recessed
<b>Power (W)</b>	17W	<b>Environment</b>	Indoor dry location
<b>CCT (K)</b>	2700K		
<b>CRI</b>	90		

### Optical

<b>Lighting type</b>	Direct
<b>LED type</b>	LED array
<b>Light distribution</b>	Symmetric
<b>Optical type</b>	Flood
<b>Beam angle (°)</b>	50
<b>Beam angle C90-270 (°)</b>	50
<b>Efficiency (lm/W)</b>	47



Beam Angle: 50°		
h(m)	E(lx)	D(m)
1	1370	0.93
2	343	1.86
3	152	2.79
4	86	3.72
5	55	4.65

Luminous flux luminaire  
815 lm (EXTREME CUT OFF)

### Electrical

<b>Frequency (Hz)</b>	50/60	<b>Emergency</b>	Without
<b>Voltage (V)</b>	27.40	<b>Insulation class</b>	II
<b>Dimmable</b>	No		
<b>Driver</b>	Remote included		
<b>Driver type</b>	Non Dimmable		

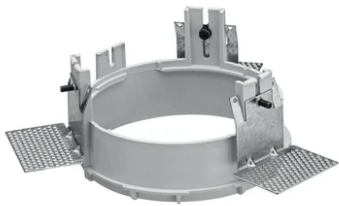
### Physical

<b>Color</b>	Black
<b>Orientation</b>	Fixed
<b>Weight (kg)</b>	0.88
<b>Spot diameter (mm)</b>	145

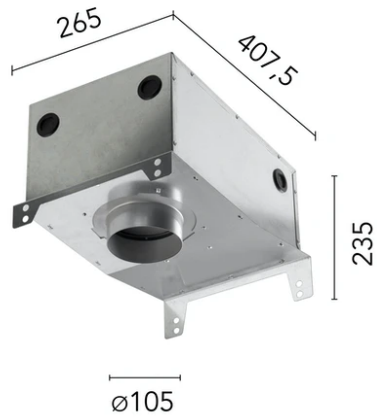
### Note

Pre-installation frame. To be ordered separately.

## Kap Ø 145



Installation Frame No Trim  
08.8156.00



Installation can for concrete  
08.8421.00



Installation Frame Trim  
08.8491.30



Installation Frame Trim  
08.8491.14



Installation Frame Trim  
08.8491.BU



Installation Frame Trim  
08.8491.GL