

*NO TRIM
**TRIM



Kap Ø 145

■ 03.4584.CU - Copper

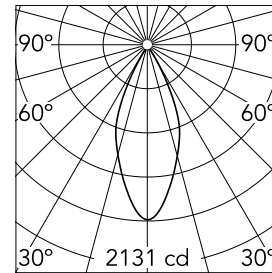
Recessed luminaire with LED light source. Remote electronic transformer 220/240V included.

Main specifications

Number of heads	1	Net lumen (lm)	1023
Lamp category	LED	Mountings	Ceiling recessed
Power (W)	17W	Environment	Indoor dry location
CCT (K)	3000K		
CRI	90		

Optical

Lighting type	Direct
LED type	LED array
Light distribution	Symmetric
Optical type	Flood
Beam angle (°)	43
Beam angle C90-270 (°)	43
Efficiency (lm/W)	60



Beam Angle: 43°		
h(m)	E(lx)	D(m)
1	2131	0.78
2	533	1.57
3	237	2.35
4	133	3.14
5	85	3.92

Luminous flux luminaire
1023 lm (EXTREME CUT OFF)

Electrical

Frequency (Hz)	50/60	Emergency	Without
Voltage (V)	27.40	Insulation class	II
Dimmable	No		
Driver	Remote included		
Driver type	Non Dimmable		

Physical

Color	Copper
Orientation	Fixed
Weight (kg)	0.88
Spot diameter (mm)	145

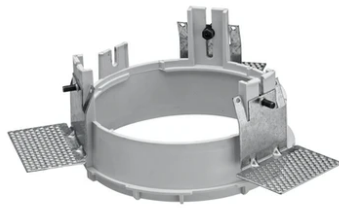
Note

Pre-installation frame. To be ordered separately.

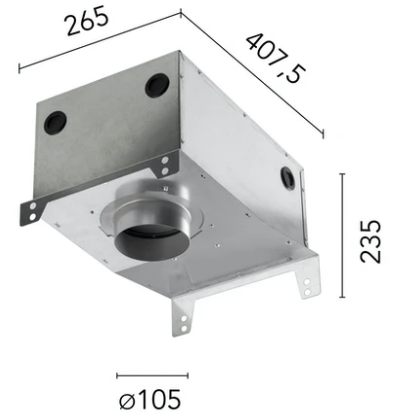
Kap Ø 145



Installation Frame Trim
08.8491.GL



Installation Frame No Trim
08.8156.00



Installation can for concrete
08.8421.00



Installation Frame Trim
08.8491.30



Installation Frame Trim
08.8491.14



Installation Frame Trim
08.8491.BU