

*NO TRIM
**TRIM



Kap Ø 145

03.4420.B1C - White

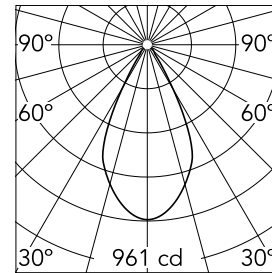
Recessed luminaire with LED light source. Remote electronic transformer 220/240V included.

Main specifications

Number of heads	1	Net lumen (lm)	803
Lamp category	LED	Mountings	Ceiling recessed
Power (W)	17W	Environment	Indoor dry location
CCT (K)	3000K		
CRI	98		

Optical

Lighting type	Direct
LED type	Phosphor LED
Light distribution	Symmetric
Optical type	Flood
Beam angle (°)	53
Beam angle C90-270 (°)	53
Efficiency (lm/W)	47



Beam Angle: 53°

h(m)	E(lx)	D(m)
1	961	1.00
2	240	2.00
3	107	3.00
4	60	4.01
5	38	5.01

Luminous flux luminaire
803 lm (EXTREME CUT OFF)

Electrical

Frequency (Hz)	50/60	Emergency	Without
Voltage (V)	18.40	Insulation class	II
Dimmable	No		
Driver	Remote included		
Driver type	Non Dimmable		

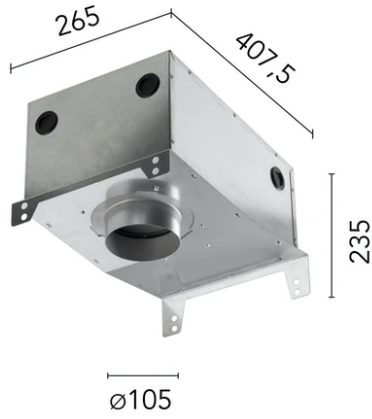
Physical

Color	White
Orientation	Fixed
Weight (kg)	0.88
Spot diameter (mm)	145

Note

Pre-installation frame. To be ordered separately.

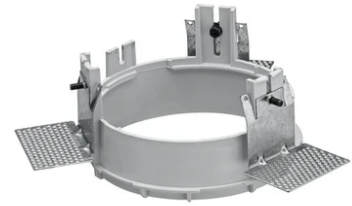
Kap Ø 145



Installation can for concrete
08.8421.00



Installation Frame Trim
08.8491.GL



Installation Frame No Trim
08.8156.00



Installation Frame Trim
08.8491.14



Installation Frame Trim
08.8491.BU



Installation Frame Trim
08.8491.30