

Kap Ø 105 Deep

■ 05.7151.74 - Black

Recessed luminaire with LED light source. Remote electronic transformer 220/240V not included. Pre-installation frame. To be ordered separately.

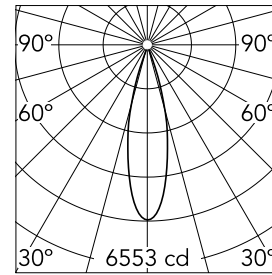
Recessed luminaire with LED light source. Remote electronic transformer 220/240V not included. Pre-installation frame. To be ordered separately.

Main specifications

Number of heads	1	CRI	90
Lamp category	LED	Net lumen (lm)	1287
Power (W)	23W	Mountings	Ceiling recessed
System power (W)	25.9	Environment	Indoor dry location
CCT (K)	2700K		

Optical

Lighting type	Direct
LED type	LED array
Light distribution	Symmetric
Optical type	Medium
Beam angle (°)	26
Beam angle C90-270 (°)	26
Efficiency (lm/W)	27



Beam Angle: 26°

h(m)	E(lx)	D(m)
1	6553	0.46
2	1638	0.93
3	728	1.39
4	410	1.85
5	262	2.31

Luminous flux luminaire
1287 lm (EXTREME CUT OFF)

Electrical

Voltage (V)	34	Emergency	Without
Current (mA)	650	Insulation class	III
Dimmable	Yes		
Driver	Remote excluded		
Driver type	Non Dimmable, Dimmable DALI 2, Dimmable Casambi, Dimmable 1-10V		

Physical

Color	Black
Orientation	Fixed
Recessed depth (mm)	190
Weight (kg)	0,48
Spot diameter (mm)	106

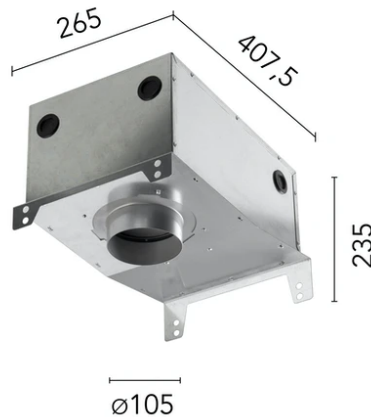
Kap Ø 105 Deep



Continuous current power supply, dimmable Casambi 220/240V-50/60Hz, 300mA-16W / 350mA-18,5W / 400mA-21,5W / 450mA-24W / 500mA-27W / 600mA-32W / 650mA-35W / 700mA-36W / 750/800/900/1000/1050mA – 38W
60.9207

Non dimmable continuous current power supply. 15-30W, 220/240V -50/60Hz with power current selected through adjustable switch. 350mA – 15W / 400mA – 17W / 450mA – 19W / 500mA – 22W / 550mA – 24W / 600mA – 26W / 650mA – 28W / 700mA – 30W no regulable
60.9592

Continuous current power supply, 0/1-10V dimmable, 220/240V – 50/60Hz, 300mA-16W / 350mA-18W / 400mA-21W / 500mA-27W / 600mA-32W / 650mA-35W / 700/750/800/900/950/1000/1050mA-36W
60.9439



Installation frame No Trim
08.9104.00

Installation can for concrete
08.8420.00

Continuous current supply source 240V – 50/60Hz with dimmable DALI 2, push dimming. 300mA-16W / 350mA-18W / 400mA-21W / 500mA-27W / 600mA-32W / 650mA-35W / 700/750/800/900/950/1000/1050mA-38W
60.9186